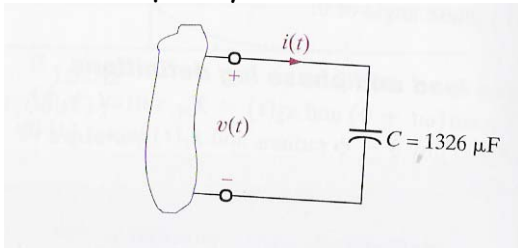


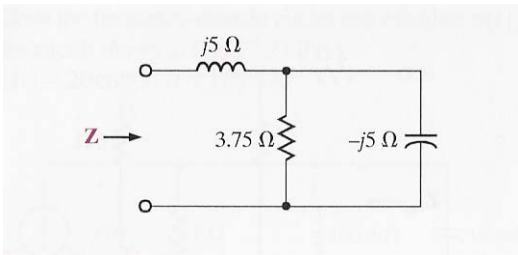
EEE302: Electrical Networks II

Instructor: Dragica Vasileska  
HW1 due: Friday, September 3<sup>rd</sup>

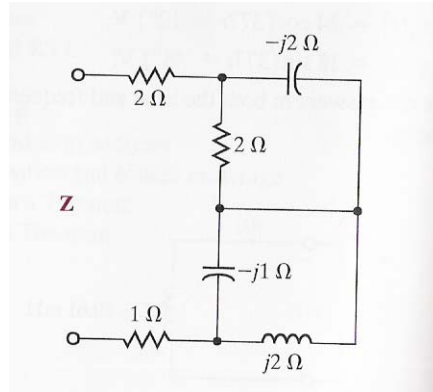
1. Calculate the current in the capacitor if the voltage input is  $v(t)=16\cos(377t-22^\circ)$ . Give the answer in both the time and the frequency domain.



2. Find the frequency-domain impedance  $Z$  shown in the circuit below.



3. Find  $Z$  in the network.



4. Find the frequency-domain voltage  $V_o$ , as shown in the figure below.

